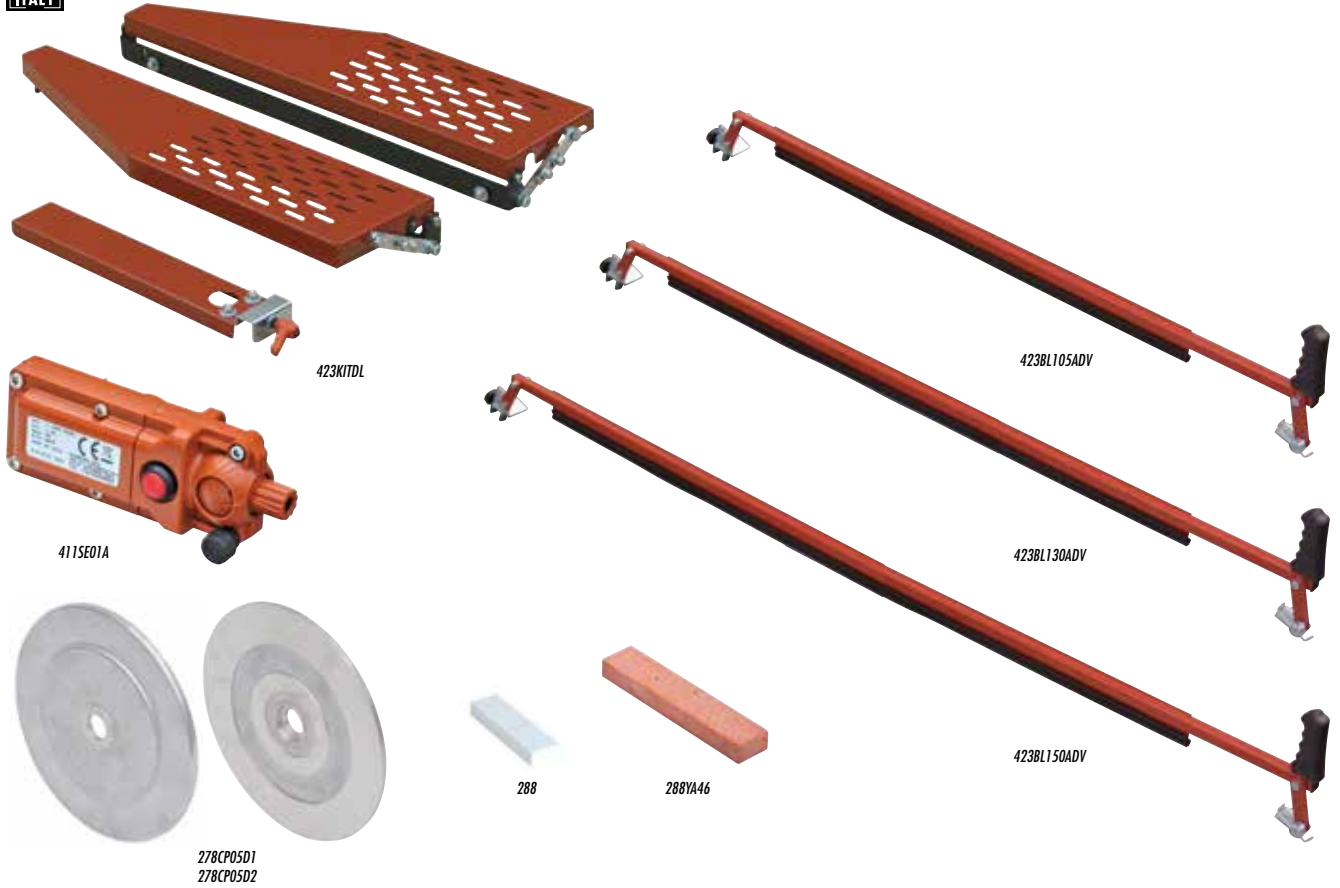


# ACCESSORIES FOR BRIDGE SAW MACHINES

MADE IN ITALY

BRIDGE AND JOB SITE SAW MACHINES



| Part No.           |               |   | Description  |                |                     |        |         |
|--------------------|---------------|---|--|----------------|---------------------|--------|---------|
| <b>423KITDL</b>    | 8024648010476 | 1 | Optional kit: folding extension tables and 90° left square | 71x22xh 10 cm  | 28"x8 5/8"xh 4"     | 5 Kg   | 11 lbs  |
| <b>423BL105ADV</b> | 8024648056757 | 1 | Tile holder for Pikus 105 ADV, SMS 100, Zoe 105 ADV        | 117x24xh 20 cm | 46"x9 1/2"xh 7 7/8" | 2,6 Kg | 5.7 lbs |
| <b>423BL130ADV</b> | 8024648066459 | 1 | Tile holder for Pikus 130 ADV, SMS 125, Zoe 130 ADV        | 153x24xh 20 cm | 60"x9 1/2"xh 7 7/8" | 3 Kg   | 6.6 lbs |
| <b>423BL150ADV</b> | 8024648071187 | 1 | Tile holder for SMS150 e Zoe 150 ADV                       | 178x24xh 20 cm | 70"x9 1/2"xh 7 7/8" | 3,5 Kg | 7.7 lbs |
| <b>411SE01A</b>    | 8024648065254 | 1 | Laser without stirrup                                      | -              | -                   | -      | -       |
| <b>411SE A1</b>    | 8024648070906 | 1 | Laser with stirrup for ZOE Adv                             | -              | -                   | -      | -       |
| <b>411SE A2</b>    | 8024648070913 | 1 | Laser with stirrup for Pikus Adv                           | -              | -                   | -      | -       |
| <b>411SE A4</b>    | 8024648070937 | 1 | Laser with stirrup for SMS100,125 e 150                    | -              | -                   | -      | -       |
| <b>411SE A9</b>    | 8024648005663 | 1 | Laser with stirrup for SMS220 e SMS260                     | -              | -                   | -      | -       |
| <b>288</b>         | 8024648004178 | 1 | Dressing stone 30 x100xh 15 mm (1 3/16" x 4"xh 5/8")       | -              | -                   | -      | -       |
| <b>288YA46</b>     | 8024648079619 | 1 | Dressing stone 45x230xh 25 mm (1 3/4"x9 1/16"xh 1")        | -              | -                   | -      | -       |
| <b>278CP05D1</b>   | 8024648079060 | 2 | Flanges (pair) Ø 200 mm (8") per Zoe ADV                   | -              | -                   | -      | -       |
| <b>278CP05D2</b>   | 8024648079077 | 2 | Flanges (pair) Ø 200 mm (8") per SMS e Mistral             | -              | -                   | -      | -       |

| Part no.           | EXPLOIT |    |     | BOLT |     |     | MISTRAL |     |     | PIKUS |    |     | PIKUS ADV |     |     | SMS |     |     |     |     | LAB |    | ZOE ADV |     |     | SA | SA | SHERPA |   |
|--------------------|---------|----|-----|------|-----|-----|---------|-----|-----|-------|----|-----|-----------|-----|-----|-----|-----|-----|-----|-----|-----|----|---------|-----|-----|----|----|--------|---|
|                    | 70      | 90 | 120 | 90   | 120 | 150 | 90      | 120 | 150 | 75    | 85 | 105 | 130       | 100 | 125 | 150 | 220 | 260 | 270 | 330 | 400 | 85 | 105     | 130 | 150 | 80 | 09 |        |   |
| <b>423KITDL</b>    | -       | -  | -   | -    | -   | -   | -       | -   | -   | -     | •  | •   | •         | •   | •   | •   | •   | •   | •   | •   | •   | •  | •       | •   | •   | •  | -  | -      |   |
| <b>423BL105ADV</b> | -       | -  | -   | -    | -   | -   | -       | -   | -   | -     | -  | •   | •         | •   | •   | •   | •   | •   | •   | •   | •   | •  | •       | •   | •   | •  | -  | -      |   |
| <b>423BL130ADV</b> | -       | -  | -   | -    | -   | -   | -       | -   | -   | -     | -  | •   | •         | •   | •   | •   | •   | •   | •   | •   | •   | •  | •       | •   | •   | •  | -  | -      |   |
| <b>423BL150ADV</b> | -       | -  | -   | -    | -   | -   | -       | -   | -   | -     | -  | •   | •         | •   | •   | •   | •   | •   | •   | •   | •   | •  | •       | •   | •   | •  | -  | -      |   |
| <b>411SE01A</b>    | -       | -  | -   | -    | -   | -   | -       | -   | -   | -     | -  | -   | -         | -   | -   | -   | -   | -   | -   | -   | -   | -  | -       | -   | -   | -  | -  | -      |   |
| <b>411SE A1</b>    | -       | -  | -   | -    | -   | -   | -       | -   | -   | -     | -  | -   | -         | -   | -   | -   | -   | -   | -   | -   | -   | -  | •       | •   | •   | •  | -  | -      |   |
| <b>411SE A2</b>    | -       | -  | -   | -    | -   | -   | -       | -   | -   | -     | -  | •   | •         | •   | -   | -   | -   | -   | -   | -   | -   | -  | -       | -   | -   | -  | -  | -      |   |
| <b>411SE A4</b>    | -       | -  | -   | -    | -   | -   | -       | -   | -   | -     | -  | -   | -         | •   | •   | •   | •   | •   | •   | •   | •   | -  | -       | -   | -   | -  | -  | -      |   |
| <b>411SE A9</b>    | -       | -  | -   | -    | -   | -   | -       | -   | -   | -     | -  | -   | -         | -   | -   | -   | -   | -   | -   | -   | -   | -  | -       | -   | -   | -  | -  | -      |   |
| <b>288</b>         | •       | •  | •   | •    | •   | •   | •       | •   | •   | •     | •  | •   | •         | •   | •   | •   | •   | •   | •   | •   | •   | •  | •       | •   | •   | •  | •  | •      | • |
| <b>288YA46</b>     | •       | •  | •   | •    | •   | •   | •       | •   | •   | •     | •  | •   | •         | •   | •   | •   | •   | •   | •   | •   | •   | •  | •       | •   | •   | •  | •  | •      | • |
| <b>278CP05D1</b>   | -       | -  | -   | -    | -   | -   | -       | -   | -   | -     | -  | -   | -         | -   | -   | -   | -   | -   | -   | -   | -   | -  | •       | •   | •   | •  | -  | -      |   |
| <b>278CP05D2</b>   | -       | -  | -   | -    | -   | -   | -       | -   | -   | -     | -  | -   | -         | -   | -   | -   | -   | -   | -   | -   | -   | -  | -       | -   | -   | -  | -  | -      |   |





MADE IN ITALY

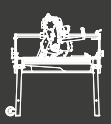
BRIDGE AND JOB SITE SAW MACHINES



| Part No.           | Barcode       | Box | Description  | Box           | Weight                   | Weight           |
|--------------------|---------------|-----|--|---------------|--------------------------|------------------|
| <b>374RUS401</b>   | 8024648090256 | 1   | Self-standing 5 rollers side extension bench (length: 705mm; width: 506 mm)          | 80x60xh 20    | 31 1/2"x23 5/8"x h7 7/8" | 20,7 Kg 45.6 lbs |
| <b>191CL04A1</b>   | 8024648080998 | 1   | Telescopic set-square 90°/45° for Pikus Adv, SMS and Zoe Adv                         | 80x33xh 21 cm | 31 1/2"x13"xh 8 1/4"     | 9 Kg 19.8 lbs    |
| <b>192SQ03A</b>    | 8024648014986 | 1   | Sliding square 90°   | 42x7xh 5 cm   | 16 1/2"x2 3/4"xh 2"      | 900 gr 31.8 oz   |
| <b>192SQ07A</b>    | 8024648053893 | 1   | Left sliding square 45°/90°  | 29x22xh 7 cm  | 11 1/2"x8 5/8"xh 2 3/4"  | 900 gr 31.8 oz   |
| <b>191CL04A</b>    | 8024648056122 | 1   | Side square for Pikus ADV, Zoe ADV and SMS   | 81x45xh 13 cm | 32"x17 3/4"xh 5"         | 4,5 Kg 10 lbs    |
| <b>191CL04A2</b>   | 8024648088123 | 1   | Side square for Exploit, Bolt, Mistral   | 100x45xh 12cm | 39 3/8"x17 3/4"xh 4 3/4" | 5,6 Kg 12.3 lbs  |
| <b>191CL05A</b>    | 8024648058003 | 1   | Side square for rolling side tables  | 68x66xh 10cm  | 27"x26"xh 4"             | 4,5 Kg 9.9 lbs   |
| <b>315CR02K</b>    | 8024648089908 | 1   | 4 Wheels + handles kit for Exploit, Bolt and Mistral                                 | 33x33xh 10 cm | 13"x13"xh 4"             | 3,3 Kg 7.3 lbs   |
| <b>263PE04A085</b> | 8024648019585 | 1   | Water containment bars with nylon brushes for Pikus 85 Adv and Zoe 85 Adv            | 120xØ 12,5 cm | 47 1/4"xØ 5"             | 3,6 Kg 7.9 lbs   |
| <b>263PE04A105</b> | 8024648019592 | 1   | Water containment bars with nylon brushes for Pikus 105 Adv, SMS 100 and Zoe 105 Adv | 120xØ 12,5 cm | 47 1/4"xØ 5"             | 3,8 Kg 8.4 lbs   |
| <b>263PE04A130</b> | 8024648022233 | 1   | Water containment bars with nylon brushes for Pikus 130 Adv, SMS 125 and Zoe 130 Adv | 165xØ 12,5 cm | 65"xØ 5"                 | 4,6 Kg 10.1 lbs  |
| <b>263PE04A150</b> | 8024648022851 | 1   | Water containment bars with nylon brushes for SMS 150 and Zoe 150 Adv                | 165xØ 12,5 cm | 65"xØ 5"                 | 4,9 Kg 10.8 lbs  |
| <b>263PE04A200</b> | 8024648026507 | 1   | Water containment bars with nylon brushes for SMS 220                                | 200xØ 12,5 cm | 79"xØ 5"                 | 6,6 Kg 14.6 lbs  |
| <b>263PE04A260</b> | 8050532001824 | 1   | Water containment bars with nylon brushes for SMS 260                                | 285xØ 12,5 cm | 112"xØ 5"                | 7,6 Kg 16.8 lbs  |

| Part no.           | EXPLOIT |    |     | BOLT |     |     | MISTRAL |     |     | PIKUS |    |     | PIKUS ADV |     |     |     |     | SMS |     |     |     |    | LAB |     | ZOE ADV |    |    |   | SA 80 | SA 09 | SHERPA |
|--------------------|---------|----|-----|------|-----|-----|---------|-----|-----|-------|----|-----|-----------|-----|-----|-----|-----|-----|-----|-----|-----|----|-----|-----|---------|----|----|---|-------|-------|--------|
|                    | 70      | 90 | 120 | 90   | 120 | 150 | 90      | 120 | 150 | 75    | 85 | 105 | 130       | 100 | 125 | 150 | 220 | 260 | 270 | 330 | 400 | 85 | 105 | 130 | 150     | 80 | 09 |   |       |       |        |
| <b>374RUS401</b>   | •       | •  | •   | •    | •   | •   | •       | •   | •   | •     | •  | •   | •         | •   | •   | •   | •   | •   | •   | •   | •   | •  | •   | •   | •       | •  | •  | • | •     |       |        |
| <b>191CL04A1</b>   | -       | -  | -   | -    | -   | -   | -       | -   | -   | -     | •  | •   | •         | •   | •   | •   | •   | •   | •   | •   | •   | •  | •   | •   | •       | •  | •  | • | •     |       |        |
| <b>192SQ03A</b>    | •       | •  | •   | •    | •   | •   | •       | •   | •   | •     | •  | •   | •         | •   | •   | •   | •   | •   | •   | •   | •   | •  | •   | •   | •       | •  | •  | • | •     |       |        |
| <b>192SQ07A</b>    | •       | •  | •   | •    | •   | •   | •       | •   | •   | •     | •  | •   | •         | •   | •   | •   | •   | •   | •   | •   | •   | •  | •   | •   | •       | •  | •  | • | •     |       |        |
| <b>191CL04A</b>    | -       | -  | -   | -    | -   | -   | -       | -   | -   | -     | •  | •   | •         | •   | •   | •   | •   | •   | •   | •   | •   | •  | •   | •   | •       | •  | •  | • | •     |       |        |
| <b>191CL04A2</b>   | -       | •  | •   | •    | •   | •   | •       | •   | •   | •     | •  | •   | •         | •   | •   | •   | •   | •   | •   | •   | •   | •  | •   | •   | •       | •  | •  | • | •     |       |        |
| <b>191CL05A</b>    | -       | •  | •   | •    | •   | •   | •       | •   | •   | •     | •  | •   | •         | •   | •   | •   | •   | •   | •   | •   | •   | •  | •   | •   | •       | •  | •  | • | •     |       |        |
| <b>315CR02K</b>    | •       | •  | •   | •    | •   | •   | •       | •   | •   | •     | •  | •   | •         | •   | •   | •   | •   | •   | •   | •   | •   | •  | •   | •   | •       | •  | •  | • | •     |       |        |
| <b>263PE04A085</b> | -       | -  | -   | -    | -   | -   | -       | -   | -   | -     | •  | •   | •         | •   | •   | •   | •   | •   | •   | •   | •   | •  | •   | •   | •       | •  | •  | • | •     |       |        |
| <b>263PE04A105</b> | -       | -  | -   | -    | -   | -   | -       | -   | -   | -     | •  | •   | •         | •   | •   | •   | •   | •   | •   | •   | •   | •  | •   | •   | •       | •  | •  | • | •     |       |        |
| <b>263PE04A130</b> | -       | -  | -   | -    | -   | -   | -       | -   | -   | -     | •  | •   | •         | •   | •   | •   | •   | •   | •   | •   | •   | •  | •   | •   | •       | •  | •  | • | •     |       |        |
| <b>263PE04A150</b> | -       | -  | -   | -    | -   | -   | -       | -   | -   | -     | •  | •   | •         | •   | •   | •   | •   | •   | •   | •   | •   | •  | •   | •   | •       | •  | •  | • | •     |       |        |
| <b>263PE04A200</b> | -       | -  | -   | -    | -   | -   | -       | -   | -   | -     | •  | •   | •         | •   | •   | •   | •   | •   | •   | •   | •   | •  | •   | •   | •       | •  | •  | • | •     |       |        |
| <b>263PE04A260</b> | -       | -  | -   | -    | -   | -   | -       | -   | -   | -     | •  | •   | •         | •   | •   | •   | •   | •   | •   | •   | •   | •  | •   | •   | •       | •  | •  | • | •     |       |        |





# DUAL SIDE BENCHES WITH COUNTERSQUARE AND ROLLERS/CUTTING WIDTH DIGITAL DISPLAY KIT



- They can be mounted on the wet saws between 125 cm (4.1') and 400 cm (13.1') models;
- The "main benches" are the ones to be directly bolted to the machine frame. Maximum distance between the countersquare and the line of cut: 161 cm (5.3');
- The "secondary benches" or more simply "extensions" (ACCESSORIES) must be mounted on the "main benches". They allow to reach 330 cm between the countersquare and the cutting guide;
- Both the "main benches" and the "secondary benches" can be equipped with specific digital displays to measure the cutting width (standard for LAB400);
- For all details and compatibility, we recommend to first review the chart here below and, eventually, contact Raimondi staff to verify the correct settings.

| Part No.            | Barcode       | Box | Description   | Box                                | Weight                                 | Volume              |
|---------------------|---------------|-----|---|------------------------------------|--|---------------------|
| <b>374BRU 130</b>   | 8050532019041 | 1   | Kit of 2 "main benches" with countersquare. Maximum distance between the countersquare and the line of cut: 161 cm (5.3'). For Pikus 130, Zoe 130, Zoe 150, SMS 125, SMS 150  | 130x110xh 45 cm*                   | 4.3'x3.6'xh 1.2**                      | 46 Kg* 101.41 lbs*  |
| <b>374BRU 220</b>   | 8050532019058 | 1   | Kit of 2 "main benches" with countersquare. Maximum distance between the countersquare and the line of cut: 161 cm (5.3'). For SMS 220  | 130x110xh 55 cm*<br>230x12xh 5 cm* | 4.3'x3.6'xh 1.8**<br>7.5'x0.4'xh 0.2** | 82 Kg* 180.78 lbs*  |
| <b>374BRU 260</b>   | 8050532020375 | 1   | Kit of 2 "main benches" with countersquare. Maximum distance between the countersquare and the line of cut: 161 cm (5.3'). For SMS 260  | 130x110xh 55 cm*<br>270x12xh 5 cm* | 4.3'x3.6'xh 1.8**<br>8.9'x0.4'xh 0.2** | 86 Kg* 189.60 lbs*  |
| <b>374VISVESTD</b>  | 8050532020429 | 1   | Digital display kit for measurement of cutting width up to 1610 mm (5.3')   | 190x21xh 10 cm*                    | 6.2'x0.7'xh 0.3**                      | 11.2 Kg* 24.69 lbs* |
| <b>374BRU 1F2</b>   | 8050532020351 | 1   | Kit of 2 "secondary benches". Without countersquare. For extending width of cut up to 330 cm - 10.8' (maximum distance between line of cut and countersquare: 3300 mm - 10.8'). For Pikus 130, Zoe 130, Zoe 150, SMS 125, SMS 150 | 130x110xh 45 cm*                   | 4.3'x3.6'xh 1.2**                      | 47 Kg* 103.62 lbs*  |
| <b>374BRU 2F2</b>   | 8050532020368 | 1   | Kit of 2 "secondary benches". Without countersquare. For extending width of cut up to 330 cm - 10.8' (maximum distance between line of cut and countersquare: 3300 mm - 10.8'). For SMS 220, SMS 260, LAB 270, LAB 330            | 130x110xh 55 cm*                   | 4.3'x3.6'xh 1.8**                      | 70 Kg* 154.32 lbs*  |
| <b>374BRU 400</b>   | 8050532020382 | 1   | Kit of 2 "secondary benches". Without countersquare. For extending width of cut up to 330 cm - 10.8' (maximum distance between line of cut and countersquare: 3300 mm - 10.8'). For LAB 400                                       | 130x110xh 55 cm*<br>190x8xh 7 cm*  | 4.3'x3.6'xh 1.8**<br>6.2'x0.3'xh 0.2** | 75 Kg* 165.35 lbs*  |
| <b>374VISVEMAXI</b> | 8050532020412 | 1   | Digital display kit for measurement of cutting width up to 3300 mm (10.8')  | 190x8xh 7 cm*<br>50x50xh 16 cm*    | 6.2'x0.3'xh 0.2**<br>1.6'x1.6'xh 0.5** | 13.2 Kg* 29.1 lbs*  |

\* Please note: weights and volumes data are indicative and can be confirmed only when the goods are ready for shipment.

## COMPATIBILITY SCHEME DUAL SIDE BENCHES WITH COUNTERSQUARE AND ROLLERS/CUTTING WIDTH DIGITAL DISPLAY KIT

| WHAT DO I WANT   | WET SAW MODEL  |     |     |     |     |   |     |  |  |  |   |                                   |
|--|--|-----|-----|-----|-----|---|-----|--|--|--|---|-----------------------------------|
|  | PIKUS  |     | ZOE |     |     | SMS   |     |  | LAB  |  |   |                                   |
|  | 130  | 130 | 150 | 125 | 150 | 220   | 260 | 270  | 330  | 400  |   |                                   |
| Standard configuration   | without bench  |     |     |     |     | without bench   |     | bench + square<br>min 35 max 120 cm<br>(min 1.14' max 3.93')                                 | 2 benches + countersquare<br>min 0 max 161 cm<br>(min 0' max 5.3') | 2 benches + countersquare<br>min 0 max 161 cm<br>(min 0' max 5.3') | 2 benches + countersquare<br>min 0 max 161 cm<br>(min 0' max 5.3') +<br>digital display kit for measurement of cutting width up to 161 cm (5.3')                          |                                   |
| ACCESSORIES<br>main bench/benches<br>max width 161 cm (5.3')   | <b>art. 374BRU 130</b><br>bench + countersquare<br>min 0 max 161 cm<br>(min 0' max 5.3')   |     |     |     |     | <b>art. 374BRU 220</b><br>2 benches + countersquare<br>min 0 max 161 cm<br>(min 0' max 5.3')        |     | <b>art. 374BRU 260</b><br>2 benches + countersquare<br>min 0 max 161 cm<br>(min 0' max 5.3') |  | 2 benches included in the machine                                  | 2 benches included in the machine   | 2 benches included in the machine |
| Digital display kit for measurement of cutting width up to <b>161 cm</b> (5.3')<br>(usable only in combination with "main" bench/benches)                    | <b>art. 374VISVEST</b><br>2 digital displays kit for measurement of cutting width with profiles and magnetic stripes<br>min 0 max 161 cm<br>(min 0' max 5.3')    |     |     |     |     |   |     |  |  |  | Digital display kit for measurement of cutting width included in the machine  |                                   |
| ACCESSORIES<br>secondary bench/benches (extensions) max width 330 cm (10.8')<br>(usable only in combination with "main" bench/benches)                       | <b>art. 374BRU 1F2</b><br>bench WITHOUT countersquare<br>min 0 max 330 cm<br>(min 0' max 10.8')  |     |     |     |     | <b>art. 374BRU 2F2</b><br>2 benches WITHOUT countersquare<br>min 0 max 330 cm<br>(min 0' max 10.8') |     |  |  |  | <b>art. 374BRU 400</b><br>2 benches WITHOUT countersquare<br>min 0 max 330 cm<br>(min 0' max 10.8')<br>+ predisposition for the digital display to reach 330cm wide cuts. |                                   |
| Digital display kit for measurement of cutting width up to <b>330 cm</b> (10.8')<br>(usable only in combination with "secondary" bench/benches - extensions) | <b>art. 374VISVEMAXI</b><br>2 digital displays kit for measurement of cutting width with profiles and magnetic stripes<br>min 0 max 330 cm<br>(min 0' max 10.8') |     |     |     |     |   |     |  |  |  | Digital display kit for measurement of cutting width included in the machine  |                                   |

\* For all details and compatibility, we recommend to first review the chart here below and, eventually, contact Raimondi staff to verify the correct settings.



MADE IN ITALY

BRIDGE AND JOB SITE SAW MACHINES



| Part No.           |               |   | Description                            |
|--------------------|---------------|---|--|
| <b>419AVBO=120</b> | 8024648090331 | 1 | Wheel kit feed for Bolt 120            |
| <b>419AVBO=150</b> | 8024648090348 | 1 | Wheel kit feed for Bolt 150            |
| <b>419AVMS=120</b> | 8024648090355 | 1 | Wheel kit feed for Mistral 120/SMS 125 |
| <b>419AVMS=150</b> | 8024648090362 | 1 | Wheel kit feed for Mistral 150         |
| <b>419AVMS=155</b> | 8024648022714 | 1 | Wheel kit feed for SMS 150             |
| <b>419AVPK 085</b> | 8024648091543 | 1 | Wheel kit feed for Pikus 85 Adv        |
| <b>419AVPK 105</b> | 8024648091550 | 1 | Wheel kit feed for Pikus 105 Adv       |
| <b>419AVPK 130</b> | 8024648092755 | 1 | Wheel kit feed for Pikus 130 Adv       |
| <b>419AVZ0 085</b> | 8024648093233 | 1 | Wheel kit feed for Zoe 85 Adv          |
| <b>419AVZ0 105</b> | 8024648093240 | 1 | Wheel kit feed for Zoe 105 Adv         |
| <b>419AVZ0 130</b> | 8024648093257 | 1 | Wheel kit feed for Zoe 130 Adv         |
| <b>419AVZ0 150</b> | 8024648093264 | 1 | Wheel kit feed for Zoe 150 Adv         |

| Part no.           | EXPLOIT |    |     | BOLT |     |     | MISTRAL |     |     | PIKUS |    |     |     | SMS |     |     |     | LAB |     |     | ZOE ADV |    |     |     | SA 80 | SA 09 | SHERPA |   |
|--------------------|---------|----|-----|------|-----|-----|---------|-----|-----|-------|----|-----|-----|-----|-----|-----|-----|-----|-----|-----|---------|----|-----|-----|-------|-------|--------|---|
|                    | 70      | 90 | 120 | 90   | 120 | 150 | 90      | 120 | 150 | 75    | 85 | 105 | 130 | 100 | 125 | 150 | 220 | 260 | 270 | 330 | 400     | 85 | 105 | 130 | 150   |       |        |   |
| <b>419AVBO=120</b> | -       | -  | -   | -    | •   | -   | -       | -   | -   | -     | -  | -   | -   | -   | -   | -   | -   | -   | -   | -   | -       | -  | -   | -   | -     | -     | -      | - |
| <b>419AVBO=150</b> | -       | -  | -   | -    | -   | •   | -       | -   | -   | -     | -  | -   | -   | -   | -   | -   | -   | -   | -   | -   | -       | -  | -   | -   | -     | -     | -      | - |
| <b>419AVMS=120</b> | -       | -  | -   | -    | -   | -   | •       | -   | -   | -     | -  | -   | -   | -   | •   | -   | -   | -   | -   | -   | -       | -  | -   | -   | -     | -     | -      | - |
| <b>419AVMS=150</b> | -       | -  | -   | -    | -   | -   | -       | •   | -   | -     | -  | -   | -   | -   | -   | •   | -   | -   | -   | -   | -       | -  | -   | -   | -     | -     | -      | - |
| <b>419AVMS=155</b> | -       | -  | -   | -    | -   | -   | -       | -   | -   | -     | -  | -   | -   | -   | -   | •   | -   | -   | -   | -   | -       | -  | -   | -   | -     | -     | -      | - |
| <b>419AVPK 085</b> | -       | -  | -   | -    | -   | -   | -       | -   | -   | •     | -  | -   | -   | -   | -   | -   | -   | -   | -   | -   | -       | -  | -   | -   | -     | -     | -      | - |
| <b>419AVPK 105</b> | -       | -  | -   | -    | -   | -   | -       | -   | -   | -     | •  | -   | -   | -   | -   | -   | -   | -   | -   | -   | -       | -  | -   | -   | -     | -     | -      | - |
| <b>419AVPK 130</b> | -       | -  | -   | -    | -   | -   | -       | -   | -   | -     | -  | •   | -   | -   | -   | -   | -   | -   | -   | -   | -       | -  | -   | -   | -     | -     | -      | - |
| <b>419AVZ0 085</b> | -       | -  | -   | -    | -   | -   | -       | -   | -   | -     | -  | -   | -   | -   | -   | -   | -   | -   | -   | -   | -       | •  | -   | -   | -     | -     | -      | - |
| <b>419AVZ0 105</b> | -       | -  | -   | -    | -   | -   | -       | -   | -   | -     | -  | -   | -   | -   | -   | -   | -   | -   | -   | -   | -       | -  | •   | -   | -     | -     | -      | - |
| <b>419AVZ0 130</b> | -       | -  | -   | -    | -   | -   | -       | -   | -   | -     | -  | -   | -   | -   | -   | -   | -   | -   | -   | -   | -       | -  | -   | •   | -     | -     | -      | - |
| <b>419AVZ0 150</b> | -       | -  | -   | -    | -   | -   | -       | -   | -   | -     | -  | -   | -   | -   | -   | -   | -   | -   | -   | -   | -       | -  | -   | -   | •     | -     | -      | - |

